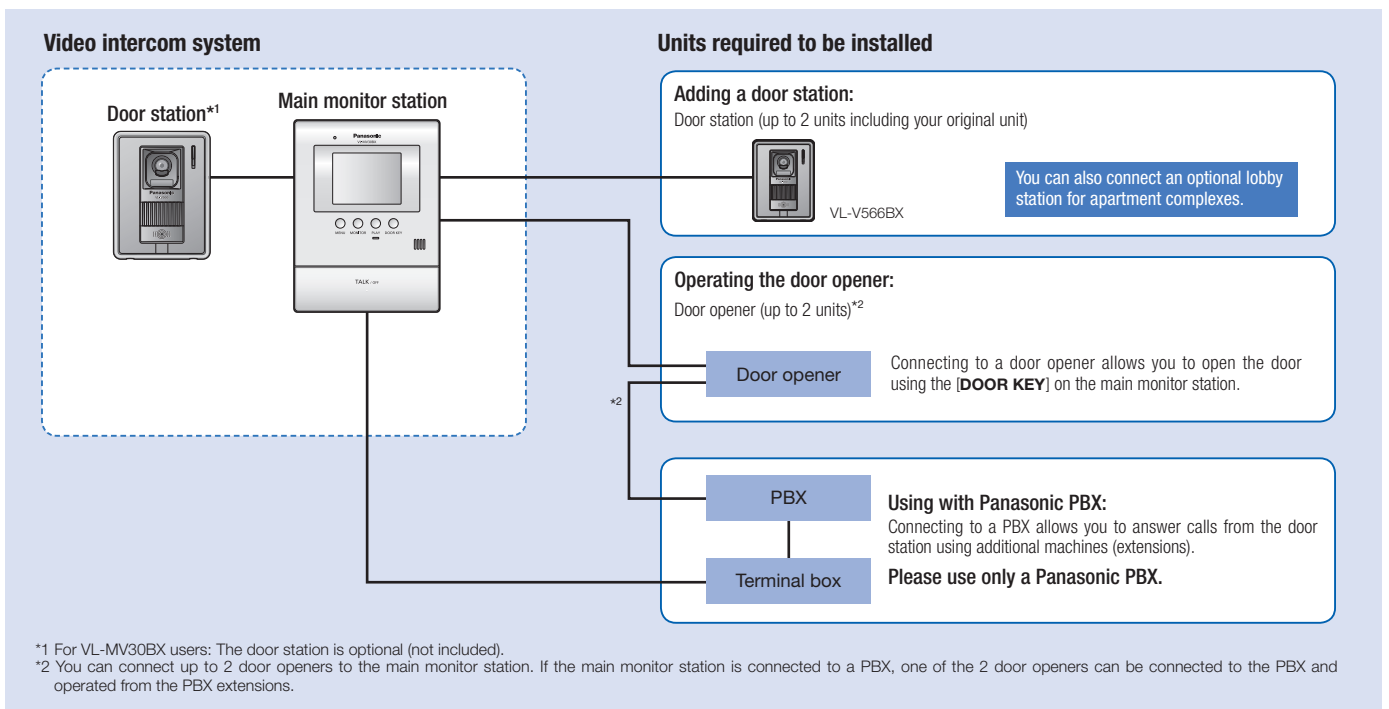




## Key Features

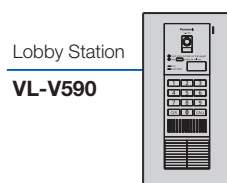
- **3.5 inch Colour TFT LCD:** Main monitor lets you clearly identify visitors.
- **Picture Recording Function:** Up to 30 images of visitors can be recorded.
- **Hands-free Talking:** When you receive a call from a door station, you can monitor the visitor on the monitor display and talk hands-free.
- **Electric Lock Release Support (Door Opener):** The door lock can be easily and quickly released using the main monitor station.
- **Easy Replacement:** Since the door station and main monitor have a 2-wire connection, you can easily install them in place of an existing door bell.
- **Night Vision with infrared LEDs**
- **Expanding your system with optional units**



## Accessory Information

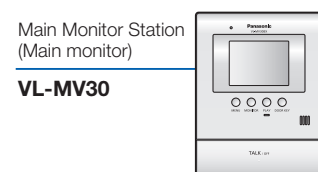
- For the Main Monitor Station:** Mounting bracket × 1, Wood screws (4 mm × 16 mm) × 2  
**For the Door Station:** Mounting base × 1, Wood screws (3.8 mm × 20 mm) × 2

## Optional Accessories



Up to 20 Main monitors connectable

## Relative Product

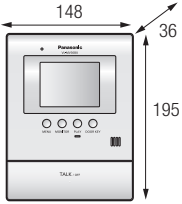
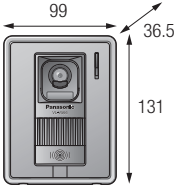
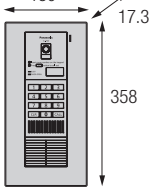


# Model Composition

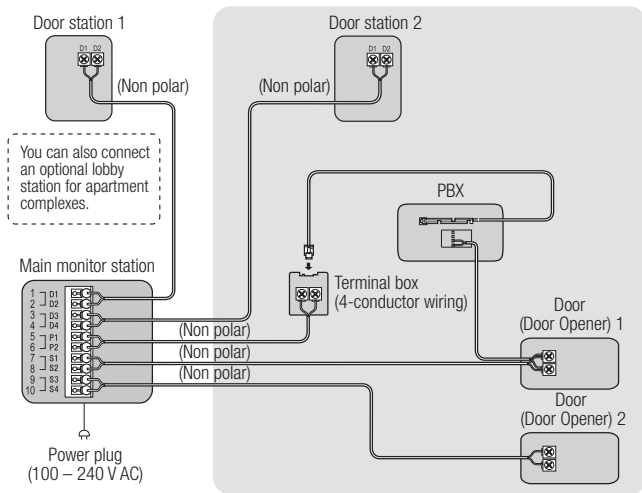
VL-SV30

VL-MV30 x 1, VL-V566 x 1

## Specifications

	VL-MV30	VL-V566	VL-V590
Model number and name	Main Monitor Station (Main monitor)	Door Station (Doorphone)	Optional Lobby Station
Dimensions		<span style="border: 1px solid black; padding: 2px;">Up to 2</span> 	
Power supply	100 – 240 V AC, 50/60 Hz	Supplied by the Main Monitor Station	100 V – 240 V AC, 50/60 Hz
Power consumption	Standby: Approx. 0.04 A During operation: Approx. 0.22 A	-	Standby: Approx. 0.02 A During operation: Approx. 0.03 A
Dimensions (H x W x D) (Excluding protruding sections)	Approx. 195 x 148 x 36 mm	Approx. 131 x 99 x 36.5 mm	Approx. 358 x 180 x 17.3 mm (Excluding sections embedded into the wall)
Weight	Approx. 550 g	Approx. 200 g	Approx. 2.0 kg
Operating environment	0 °C to 40 °C, Up to 90 % RH (Relative Humidity) non condensing	-10 °C to 50 °C, Up to 90 % RH (Relative Humidity) non condensing	-10 °C to 50 °C, Up to 90 % RH (Relative Humidity) non condensing
Display	3.5 inch colour LCD monitor	-	-
Talking method	Hands-free	-	-
Viewing angle	-	Horizontally: Approx. 87° Vertically: Approx. 66°	Horizontally: Approx. 87° Vertically: Approx. 66°
Installation method	Wall mount (Wall mount bracket included)	Wall mount (Wall mount base included)	Wall mount (Flush mounted box included)
Minimum illuminance required	-	1 lx (within approx. 50cm from the camera lens)	-
Lighting method	-	Infrared LEDs	-
External material	Flame retardant ABS resin	Flame retardant ABS resin	Stainless steel and flame retardant ABS resin

## Wiring schematic diagram



## Wire type and length

- Wire (between the main monitor station and the door station):

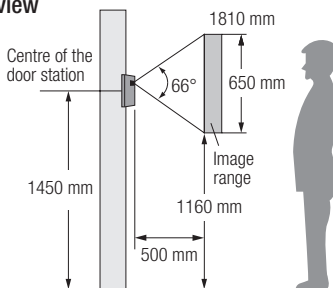
Type	Distance	Loop resistance
General cable CAT-3	Maximum 50 m	10 Ω or lower
General cable 22 AWG (ø 0.65)	Maximum 100 m	

- Wire (between the main monitor station and PBX):  
Type: General cable CAT-3 or 22 AWG (ø 0.65)  
Distance: Maximum 100 m

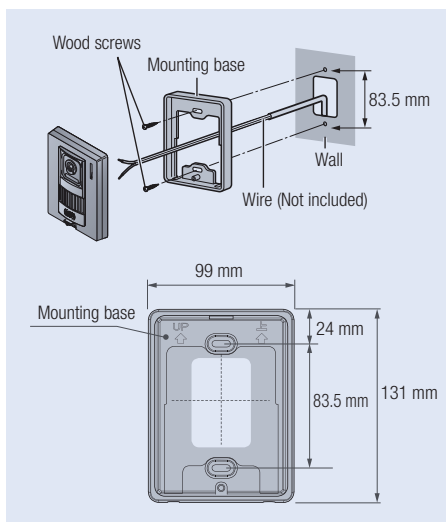
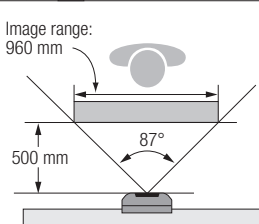
## Installing the Doorphone

- Example: Installation height is 1450 mm (standard position).

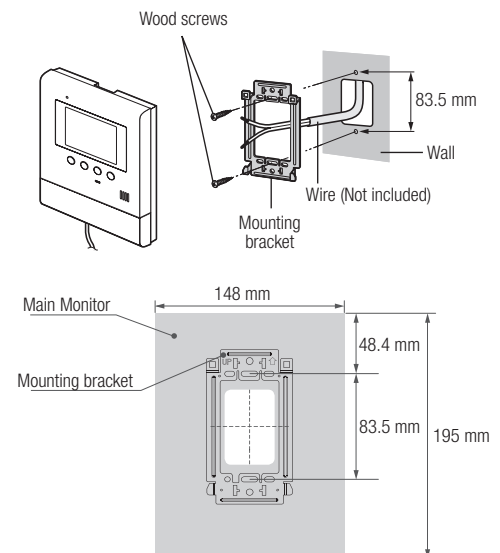
### Side view



### Top view



## Installing the Main Monitor



### Important

– Safety Precaution: carefully read the operating instructions and installation manual before using this product.

- The actual product may vary slightly from photograph.
- Weights and dimensions are approximate.
- Design and Specifications are subject to change without notice.
- These products may be subject to export control regulations.